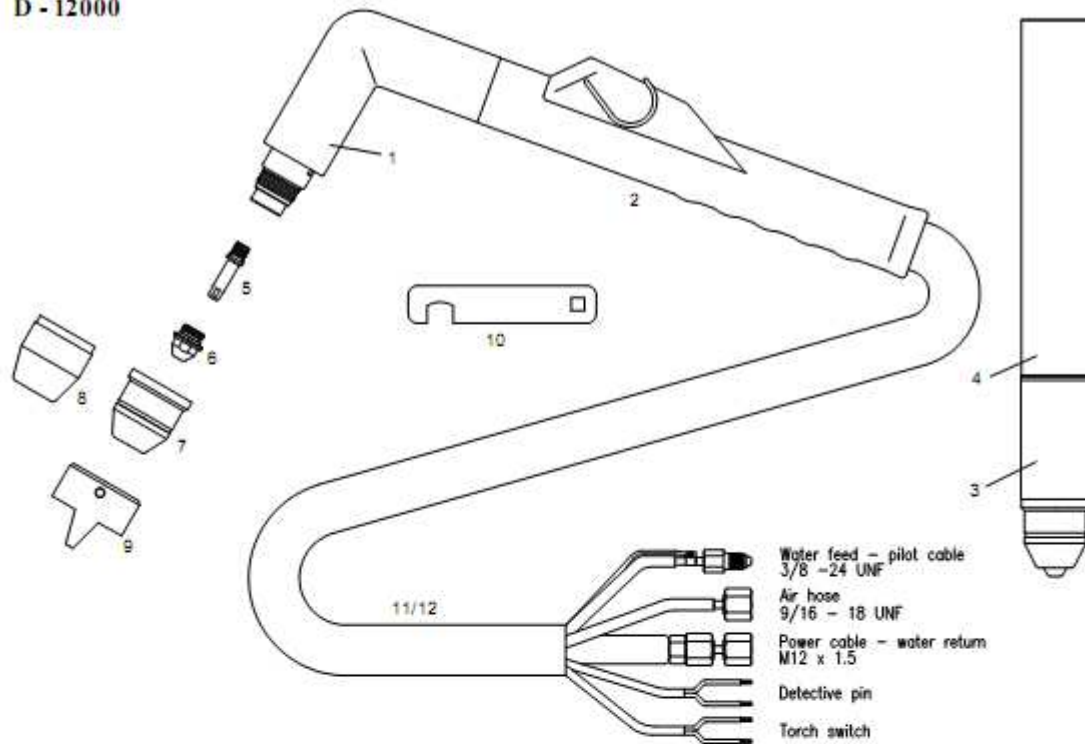


OTC®
D-12000



Item	Ref.	Code	Description
		07820	Hand torch complete with 6 mts. cable
		07830	Hand torch complete with 12 mts. cable
		07840	Machine torch complete with 6 mts. cable
		08730	Machine torch complete with 6 mts. shielded cable
		07850	Machine torch complete with 12 mts. cable
		08736	Machine torch complete with 12 mts. shielded cable
1		07801	Hand torch head complete with handle and consumables
2		04280/C	Handgrip with microswitch
3		07811	Machine torch head complete with handle and consumables
4		07215	Machine handle
5	H839M00	52750/T	Electrode, Teflon wrapped
6	H839K03	51269	Tip ø 0.8 30A
	H839K02	51270	Tip ø 1.0 50A
	H839K01	51271	Tip ø 1.3 80A
	H839G03	51272	Tip ø 1.6 120A
7		80054	Ceramic shield cup
		60354	Teflon shield cup
8	H839G02	80057	Shield cup (for genuine torch head only)
9		60374	Double pointed spacer
10		07800.57	Wrench for tip and electrode
11		07880	Complete cable - 6 mts. - Hand torch
		07885	Complete cable - 12 mts. - Hand torch
12		07890	Complete cable - 6 mts. - Machine torch
		08742	Complete shielded cable - 6 mts. - Machine torch
		07895	Complete cable - 12 mts. - Machine torch
		08748	Complete shielded cable - 12 mts. - Machine torch