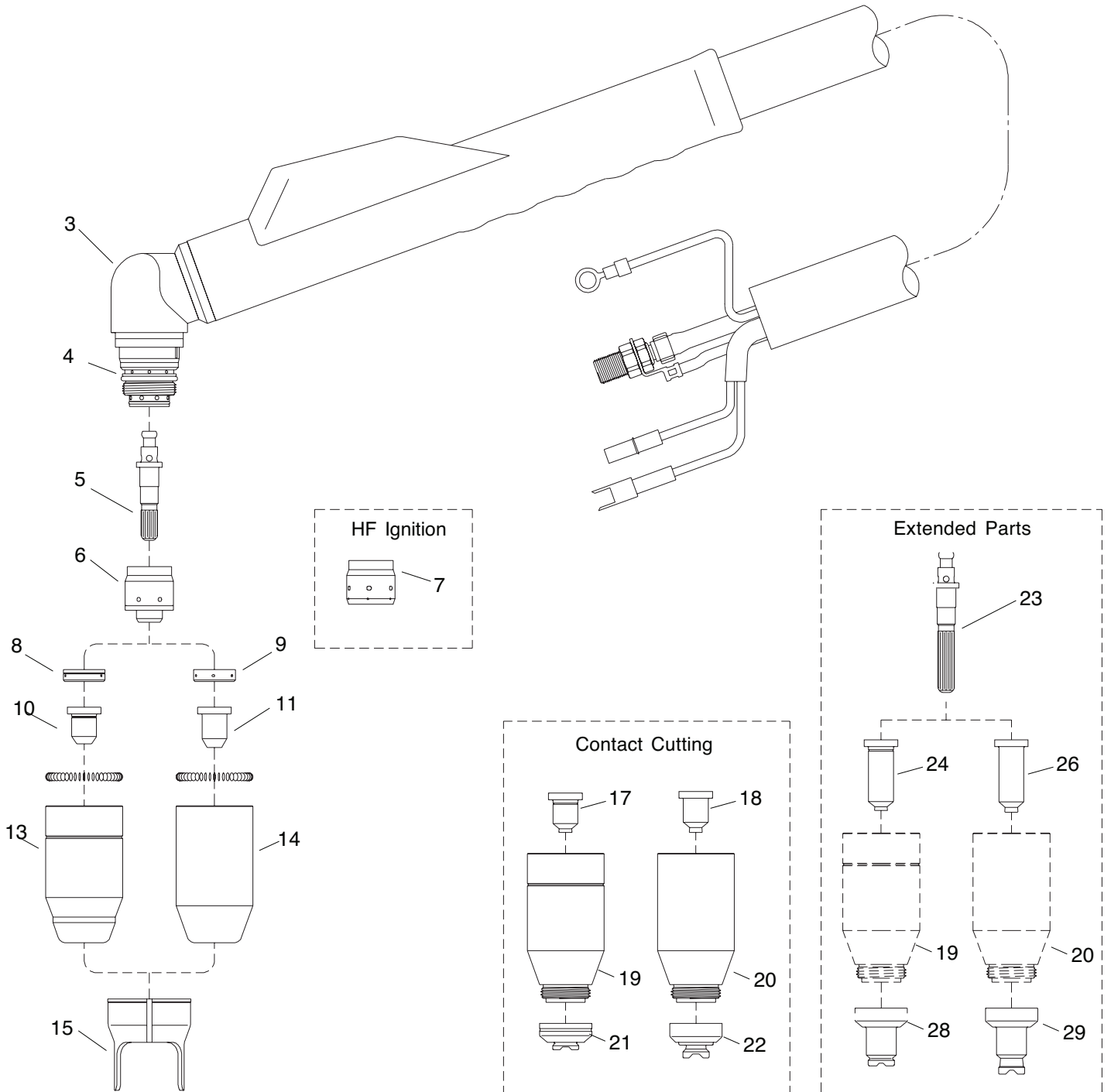


# EL-60/EL-80/ EL-120 PLASMA TORCH



Torch Model	Description	Part Number
EL-120/ EL-60 / EL-80 Plasma Torch		EL-60 = 09211/45 / EL-80 = 09211/80

# EL-60/ EL-80 PLASMA TORCH

## Front end consumables

### Spare Parts

Ref	WGA Part No.	Description
1	09211/45	Hand Torch EL-60
2	09211/80	Hand Torch EL-80
3	07925	Torch Head
4	07925.60	O-Ring
5	52601	Electrode
6	07928	Start Cartridge suit EL-60
7	07929	HF Starter Cartridge suit EL-80
8	60060	Gas Distributor 20/60A suit EL-60
9	60061	Gas Distributor 60/120A suit EL-80
10	51470	Cutting Tip 20/30A suit EL-60
	51471	Cutting Tip 40A suit EL-60
11	51474	Cutting Tip 60A suit EL-80
	51475	Cutting Tip 70A suit EL-80
12	60442	Coil Spring
13	60480	Shield Cup 20/60A suit EL-60
14	60481	Shield Cup 60/120A suit EL-60
15	60444	Double Pointed Spacer
16	07106E	Handle for 09211 suit EL-60 & EL-80
17	51480	Contact Cutting Tip 20/30A suit EL-60
	51481	Contact Cutting Tip 40A suit EL-60
18	51484	Contact Cutting Tip 60A suit EL-80
	51485	Contact Cutting Tip 70A suit EL-80
19	60482	Shield Cup Body 20/60A suit EL-60
20	60483	Shield Cup Body 60/120A suit EL-80
21	60485	Shield Cap 20/60A suit EL-60
22	60486	Shield Cap 60/120A suit EL-80
23	52602	Extended Electrode
24	51490	Extended Tip 20/30A suit EL-60
25	51491	Extended Tip 40A suit EL-60
26	51493	Extended Tip 60A suit EL-80
27	51494	Extended Tip 70A suit EL-80
28	60490	Extended Shield 20/60A suit EL-60
29	60491	Extended Shield 60/120A suit EL-80
30	51864	Circle Cutting Kit suit EL60/80

